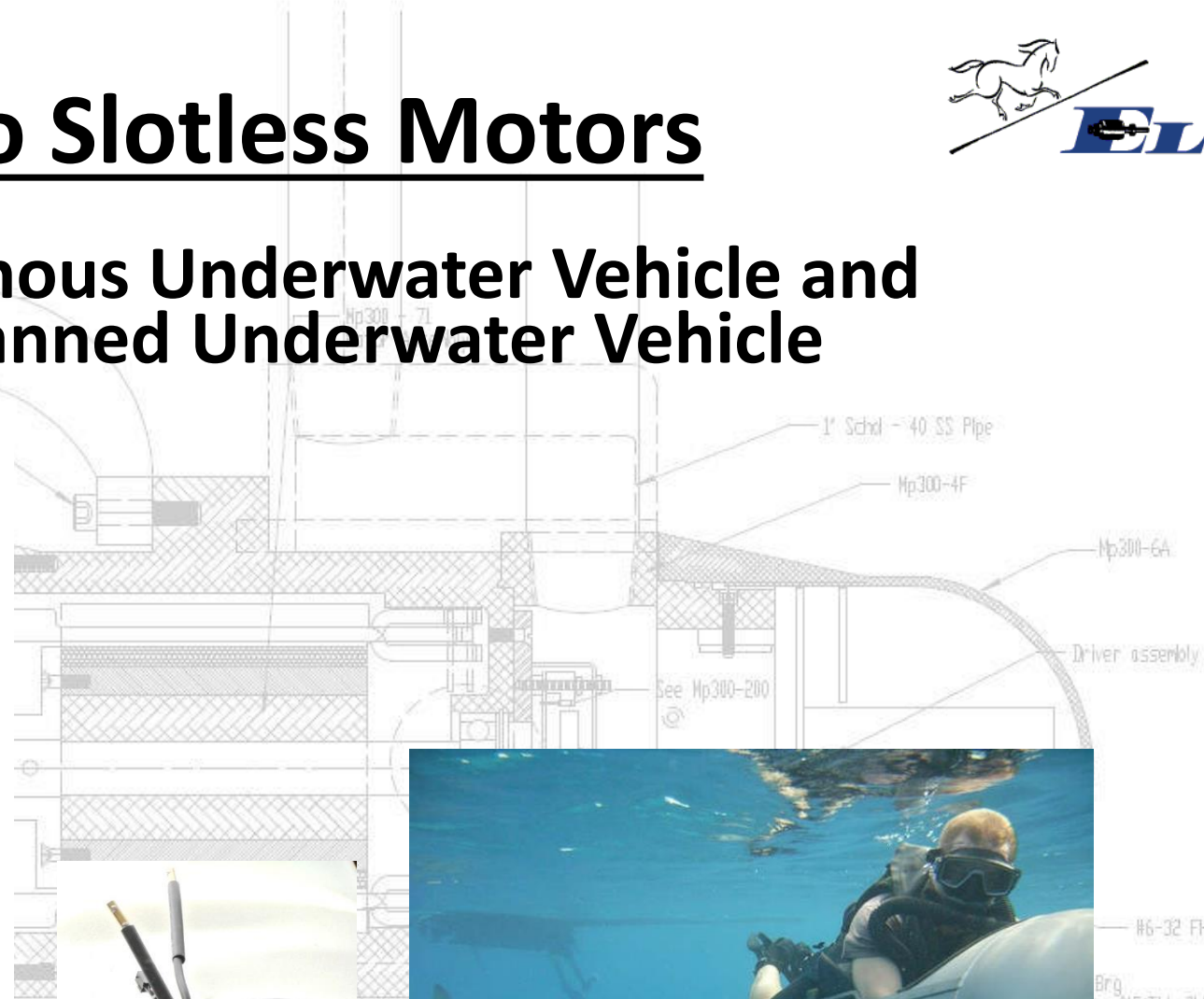


Elinco Slotless Motors



AUV Autonomous Underwater Vehicle and UUV Unmanned Underwater Vehicle



#6-32 FHS (8)
Brg.
x .015-Thk Shln
k Just cover
holes#N5000-145-S

Mp300-02

Medical Equipment and Laboratory Automation
Specially designed rotor and stator configuration and structure and Neodymium or Non-Neodymium options and vertically integrated Japanese manufacturing give our motors the performance edge required for motors to optimize performance in laboratory or medical applications. [Hybrid Stepping Motors](#) > [More information](#)

Home Products (v) Resources Company Assemblies Contact

Applications

- Communications
- Automotive
- Medical Technology
- Office Automation
- Industrial Automation
- Aerospace and Defense



New Products

KM28 / KM59 Thin Profile Hybrid Stepper

When it comes to high torque and small package size for hybrid steppers, the Elinco KM28, KM46, and KM53 Motor is the right choice. It has precision in-house machined parts and is available in three sizes. The smaller motor is 8.8 mm thick, the middle motor is 11.8 mm thick, and the larger motor is 14.8 mm thick with 14000 RPM of V.V.



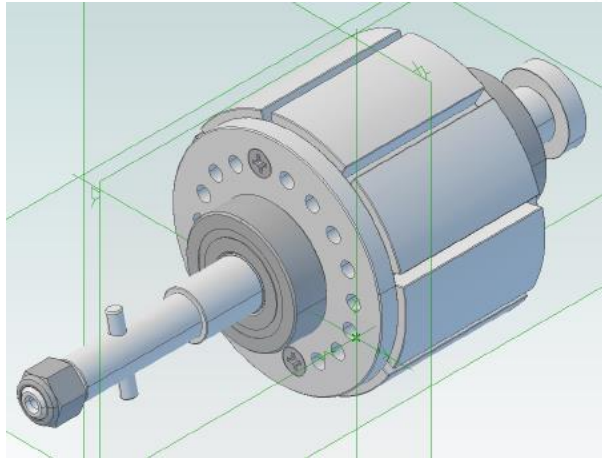
Product Navigator

Search for Specifications:

 Select product category above:

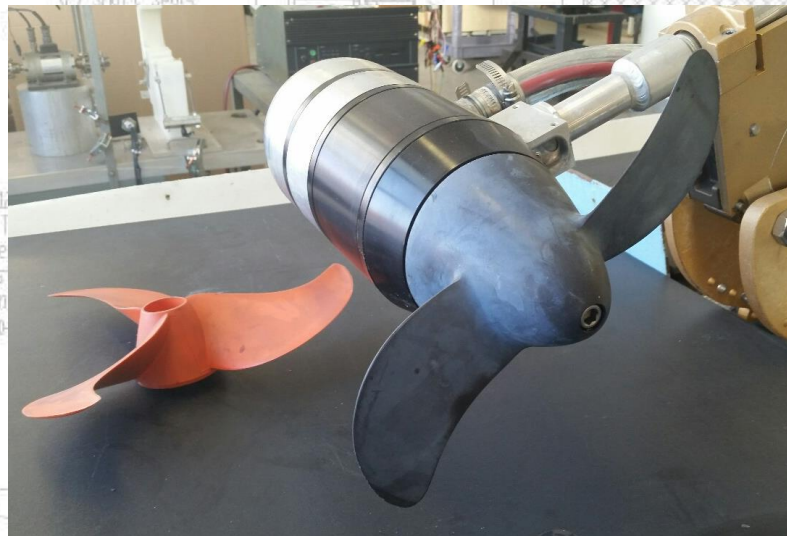
[Online Shop](#)

Elinco Slotless Motor Benefits



Elinco Benefits

- Experienced, responsive design staff
- Design flexibility:
 - From components to complete motor assemblies
 - Magnetic circuit optimization
 - Specialized sealing technology for submersibles
 - Wide variety of features
- Global manufacturing footprint



17mm 40mm x 1
1.57" x 1.33" x .010" T
Wave washer
1.55" x .025" Dns
Retainin
Washer#H5100

Stator Assembly

Mp300-2FN

12mmx37mmx12mm Brg
1 7/16" ID x 1/8" W x .015" Thk Shln
1 7/16 x .025" thk Dust cover
Retaining Ring W/locks#H5000-145-S

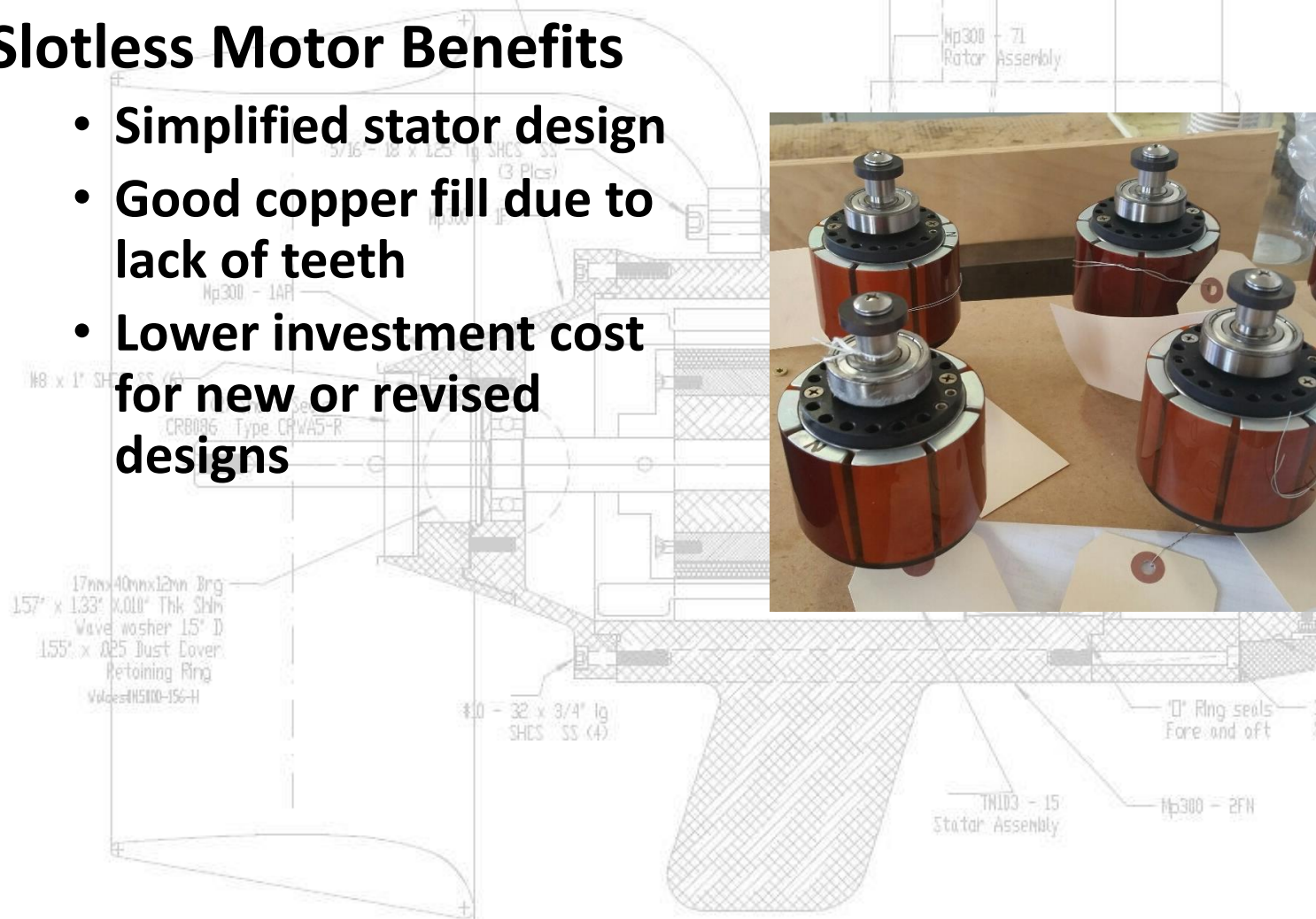
Mp300-02

Elinco Slotless Motor Benefits



Slotless Motor Benefits

- Simplified stator design
- Good copper fill due to lack of teeth
- Lower investment cost for new or revised designs



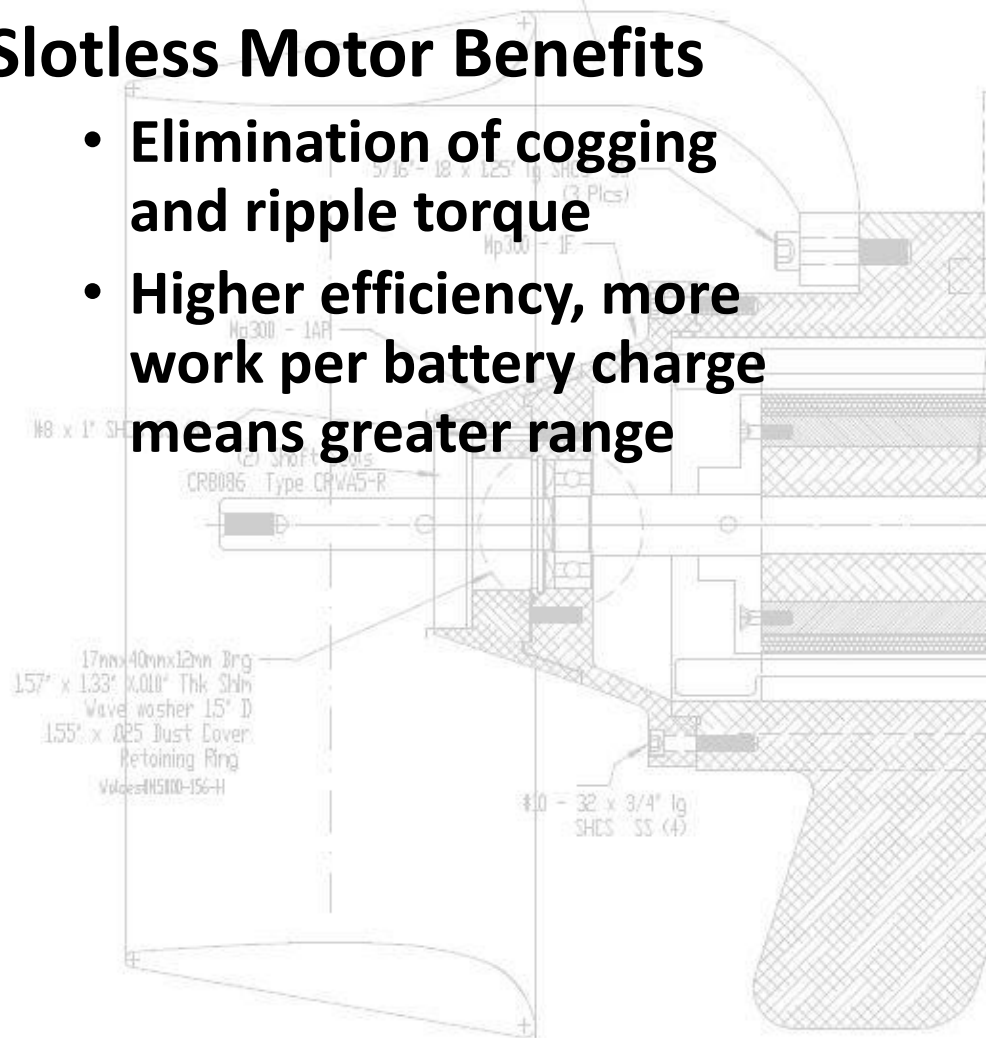
Mp300-02

Elinco Slotless Motor Benefits



Slotless Motor Benefits

- Elimination of cogging and ripple torque
- Higher efficiency, more work per battery charge means greater range



- Elinco Slotless BLDC
- Typical Trolling DC Motor

