

# SELECTION SYNCHRONOUS MOTOR (D5-N)

## SPECIFICATION

DATE 2013/8/1

No	ITEM	UNIT	D5N230V 5Z1/10MC	D5N 6F32-20	D5N 5F32-14	D5N 6Z1/10MC
1-1	VOLTAGE	VAC	230	115	100	
1-2	FREQUENCY	Hz	50	60	50/60	60
1-3	NUMBER OF POLES	POLES	16			
1-4	NO-LOAD INPUT POWER	W	1.5			
1-5	OUTPUT SPEED	r/min	1/10		1/10 1/8.3	1/10
1-6	DIRECTION OF ROTATION (VIEWD FROM THE SHAFT END)		CCW			
1-7	DUTY		CONTINUOUS			
1-8	GEARHEAD LOAD TORQUE	mN·m MAX	78.5			
2-1	PULL-IN TORQUE	mN·m MIN	78.5			
2-2	NO-LOAD CURRENT	mA MAX	6.6	13.0	15.0	
2-3	STARTING VOLTAGE	VAC MAX	184	92	80	
2-4	TEMPERATURE RISE	K MAX	35			
2-5	INSULATION CLASS		A			
2-6	INSULATION RESISTANCE (AT NOMAL TENP.)		HUMIDITY: 100MEG OHMS MIN. AT 500VDC TESTER			
2-7	DIELECTRIC STRENGTH (AT NOMAL TENP.)		HUMIDITY: FOR 1 MINUTE AT 1500VAC 50 or 60Hz FOR 1 SECOND AT 1800VAC 50 or 60Hz			
2-8	OPERATING VOLTAGE RANGE	VAC	207~253	104~126	90~110	
2-9	OPERATING AMBIENT TEMP. RANGE	°C	-10~+60			
3-1	SURFACE FINISH		ZINC PLATED			
3-2	MASS (APPROX.)	g	105			
3-3	LEAD WIRE		UL1007 AWG24			
			(RED)	(BLUE)	(BLACK)	

### ATTENTION

1. THE LOAD ON TO THE MOTOR MUST BE EQUAL TO THE RATED TORQUE OR LESS ALL THE TIMES.
2. FORCED DRIVING OF OUTPUT SHAFT BY EXTERNAL FORCE IS NOT ALLOWED.

BROKEN GEARS WILL RESULT BY EXCESSIVE EXTERNAL FORCE.

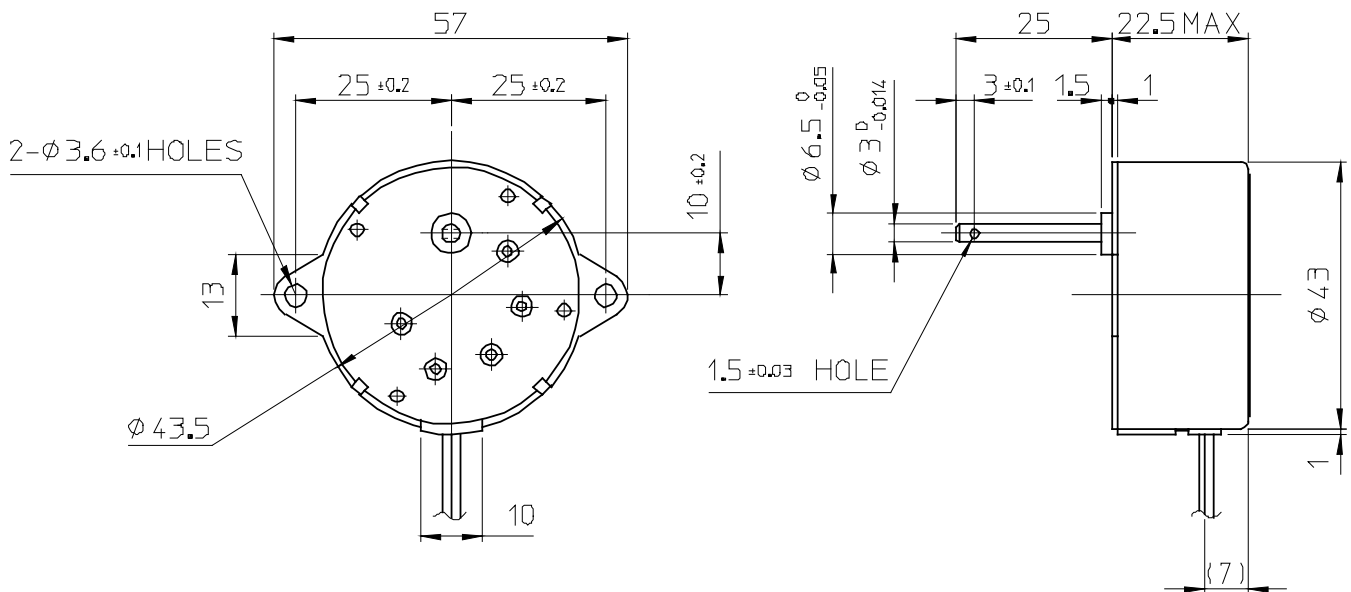
# SELECTION SYNCHRONOUS MOTOR (D5-N) **SERVO**

日本電産 (Nidec) グループ  
All for dreams

## OUTLINE

DATE 2013/8/1

### TYPE: D5N6F32-20, D5N5F32-14



### TYPE: D5N230V5Z1/10MC, D5N6Z1/10MC

