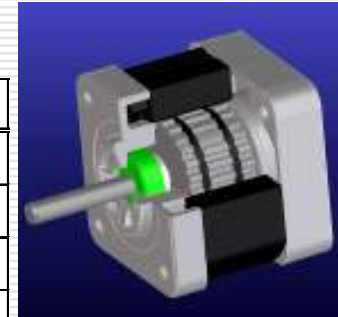


■ New HB Stepping Motor

☒ 42 mm KV Series

Step Angle	Bearing	Magnet	Length	Remarks
1.8°	Ball	Twin Ferrite	39mm	Low cost
	Ball	Neodymium	39mm	KV4239
	Ball	Neodymium	42mm	KV4242
	Ball	Neodymium	48mm	KV4248
3.75°	Ball	Twin Ferrite	39mm	Alternative of NMB
	Ball	Neodymium	39mm	Enhanced of above
	Ball	Neodymium	42mm	Enhanced of above



☒ 42 mm developing

Step Angle	Bearing	Magnet	Length	Reamrked
4.09°	Sleeve	Neodymium	32mm	Alternative of 49 mm
	Sleeve	Twin Ferrite	39mm	Super Low cost
4.09°	Ball	Twin Ferrite	39mm	Low cost
	Ball	Neodymium	42mm	Alternative of 56 mm